

This Page Is Inserted by IFW Operations  
and is not a part of the Official Record

## **BEST AVAILABLE IMAGES**

Defective images within this document are accurate representations of the original documents submitted by the applicant.

Defects in the images may include (but are not limited to):

- BLACK BORDERS
- TEXT CUT OFF AT TOP, BOTTOM OR SIDES
- FADED TEXT
- ILLEGIBLE TEXT
- SKEWED/SLANTED IMAGES
- COLORED PHOTOS
- BLACK OR VERY BLACK AND WHITE DARK PHOTOS
- GRAY SCALE DOCUMENTS

**IMAGES ARE BEST AVAILABLE COPY.**

**As rescanning documents *will not* correct images,  
please do not report the images to the  
Image Problems Mailbox.**

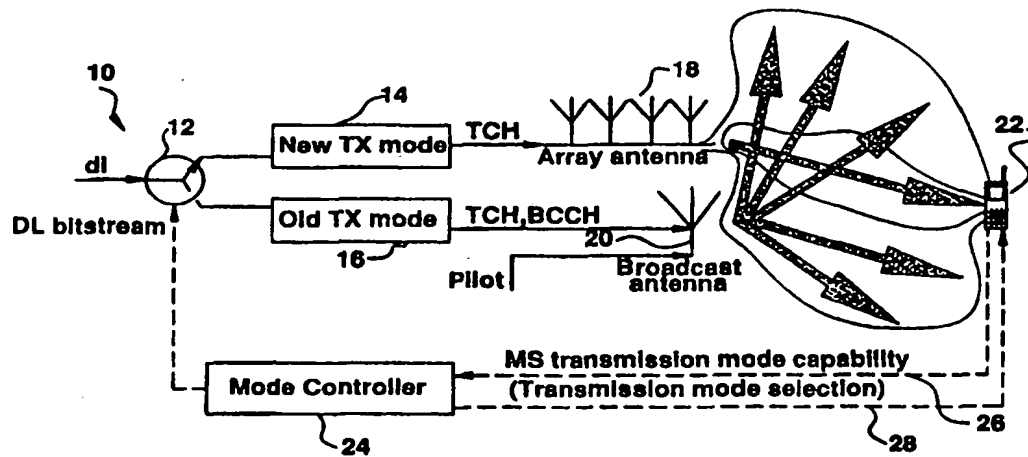
**THIS PAGE BLANK (USPTO)**



INTERNATIONAL APPLICATION PUBLISHED UNDER THE PATENT COOPERATION TREATY (PCT)

<p>(51) International Patent Classification <sup>6</sup> : H04B 7/26, 7/06, H04Q 7/36</p>	<p>A1</p>	<p>(11) International Publication Number: <b>WO 98/29965</b> (43) International Publication Date: 9 July 1998 (09.07.98)</p>
<p>(21) International Application Number: PCT/SE97/02120 (22) International Filing Date: 16 December 1997 (16.12.97) (30) Priority Data: 08/778,358 2 January 1997 (02.01.97) US (71) Applicant: TELEFONAKTIEBOLAGET LM ERICSSON [SE/SE]; S-126 25 Stockholm (SE). (72) Inventor: WILLARS, Per; Rindögatan 19, S-115 36 Stockholm (SE). (74) Agent: TELEFONAKTIEBOLAGET LM ERICSSON (publ); Patent and Trademark Dept., S-126 25 Stockholm (SE).</p>	<p>(81) Designated States: AL, AM, AT, AU, AZ, BA, BB, BG, BR, BY, CA, CH, CN, CU, CZ, DE, DK, EE, ES, FI, GB, GE, GH, GM, GW, HU, ID, IL, IS, JP, KE, KG, KP, KR, KZ, LC, LK, LR, LS, LT, LU, LV, MD, MG, MK, MN, MW, MX, NO, NZ, PL, PT, RO, RU, SD, SE, SG, SI, SK, SL, TJ, TM, TR, TT, UA, UG, UZ, VN, YU, ZW, ARIPO patent (GH, GM, KE, LS, MW, SD, SZ, UG, ZW), Eurasian patent (AM, AZ, BY, KG, KZ, MD, RU, TJ, TM), European patent (AT, BE, CH, DE, DK, ES, FI, FR, GB, GR, IE, IT, LU, MC, NL, PT, SE), OAPI patent (BF, BJ, CF, CG, CI, CM, GA, GN, ML, MR, NE, SN, TD, TG).</p> <p><b>Published</b> <i>With international search report.</i></p>	

(54) Title: FORWARD LINK TRANSMISSION MODE FOR CDMA CELLULAR COMMUNICATIONS SYSTEM USING STEERABLE AND DISTRIBUTED ANTENNAS



(57) Abstract

A DS-CDMA cellular system (10) is provided that employs two forward link transmission modes (14, 16) in parallel. A conventional transmission mode (16) broadcasts a pilot channel that can be used by a conventional mobile station (22) to estimate and detect a dedicated traffic channel. The second transmission mode (14) transmits (via a sectorized or narrow lobe antenna system (18)) all information required by a new generation mobile station (22) to estimate and detect a traffic channel dedicated to that mobile station. Consequently, DS-CDMA system operators can introduce the use of adaptive array antenna systems (18) or distributed antenna systems with new generation mobile stations (22), without terminating the use of the conventional mobile stations (22).

**FOR THE PURPOSES OF INFORMATION ONLY**

Codes used to identify States party to the PCT on the front pages of pamphlets publishing international applications under the PCT.

AL	Albania	ES	Spain	LS	Lesotho	SI	Slovenia
AM	Armenia	FI	Finland	LT	Lithuania	SK	Slovakia
AT	Austria	FR	France	LU	Luxembourg	SN	Senegal
AU	Australia	GA	Gabon	LV	Latvia	SZ	Swaziland
AZ	Azerbaijan	GB	United Kingdom	MC	Monaco	TD	Chad
BA	Bosnia and Herzegovina	GE	Georgia	MD	Republic of Moldova	TG	Togo
BB	Barbados	GH	Ghana	MG	Madagascar	TJ	Tajikistan
BE	Belgium	GN	Guinea	MK	The former Yugoslav Republic of Macedonia	TM	Turkmenistan
BF	Burkina Faso	GR	Greece	ML	Mali	TR	Turkey
BG	Bulgaria	HU	Hungary	MN	Mongolia	TT	Trinidad and Tobago
BJ	Benin	IE	Ireland	MR	Mauritania	UA	Ukraine
BR	Brazil	IL	Israel	MW	Malawi	UG	Uganda
BY	Belarus	IS	Iceland	MX	Mexico	US	United States of America
CA	Canada	IT	Italy	NE	Niger	UZ	Uzbekistan
CF	Central African Republic	JP	Japan	NL	Netherlands	VN	Viet Nam
CG	Congo	KE	Kenya	NO	Norway	YU	Yugoslavia
CH	Switzerland	KG	Kyrgyzstan	NZ	New Zealand	ZW	Zimbabwe
CI	Côte d'Ivoire	KP	Democratic People's Republic of Korea	PL	Poland		
CM	Cameroon	KR	Republic of Korea	PT	Portugal		
CN	China	KZ	Kazakstan	RO	Romania		
CU	Cuba	LC	Saint Lucia	RU	Russian Federation		
CZ	Czech Republic	LI	Liechtenstein	SD	Sudan		
DE	Germany	LK	Sri Lanka	SE	Sweden		
DK	Denmark	LR	Liberia	SG	Singapore		
EE	Estonia						

**FORWARD LINK TRANSMISSION MODE FOR CDMA  
CELLULAR COMMUNICATIONS SYSTEM USING STEERABLE  
AND DISTRIBUTED ANTENNAS**

5     **BACKGROUND OF THE INVENTION**

Technical Field of the Invention

      The present invention relates generally to the telecommunications field and, in particular, to the use of adaptive antenna arrays or distributed antennas in a forward link of a Direct Sequence-Code Division Multiple Access (DS-CDMA) cellular communications system.

10     Description of Related Art

      The next generation of cellular communications systems will be required to provide a broad range of services including digital voice, video and data in different transmission modes. These systems will require higher bit rates and higher received signal power levels, which will result in increased interference between users. Consequently, in order to obtain the high capacities that will be required of these systems, the interference levels will have to be reduced dramatically, and especially in the forward links (network to mobile direction).

      Reduced user interference levels in the forward links of these systems can be obtained by increased base station antenna sectorization. Adaptive antenna arrays can be utilized to form relatively narrow beams and thus reduce the size of the user interference areas. For example, adaptive or steerable antenna arrays can provide high antenna gains by transmitting information to individual users in highly directional, narrow beams or lobes. These narrow beams reduce the areas of potential interference. Similarly, distributed antenna systems utilize a plurality of antenna elements positioned at different locations (e.g., "radio access ports"). Consequently, information is transmitted to a user from the closest antenna element (port), which also serves to reduce the potential areas of user interference.

      In such a sectorized-antenna CDMA system, the base station transmits the traffic channel data on a code channel for a particular mobile station in one antenna lobe. If the pilot channel is broadcast over the same area as the narrow antenna

-2-

lobes, then each antenna lobe is treated as a separate cell. Consequently, if the mobile station moves into a different antenna lobe, which defines a different cell, a handoff of the mobile station between the two cells will have to occur. With each pilot channel thus defining a cell, increased antenna sectorization results in a situation where the mobile stations cross the cell borders more frequently, which leads to a larger number of handoffs. Since there is an upper limit to the number of handoffs such a system can process efficiently, a design trade-off must be made between the amount of antenna sectorization desired and user interference that can be accepted.

Current DS-CDMA systems being developed include those that adhere to the IS-95 standard (ANSI J-STD-008) and the European RACE Project R2020 (known as the Code Division Testbed or "CODIT"). Both of these types of systems use a broadcasted pilot channel in the forward link for two main purposes (once the initial connection between a mobile and base station has been established): (1) identifying individual cells for Mobile-Assisted Handoffs (MAHOs); and (2) facilitating coherent detection of traffic channel data by the mobile stations. Essentially, these systems will use the same pilot symbols for broadcasted cell identification information and facilitating coherent detection by all mobiles in a cell, in order to improve system performance without adding excessive pilot symbol overhead.

For such IS-95 and CODIT systems, the forward link air interfaces have been specified so that the mobile stations are required to use QPSK modulation with coherent detection. The pilot channel is used to facilitate the coherent detection process. Consequently, if the traffic channel is transmitted over a different (adaptive) antenna lobe or from a different (distributed) antenna element than the pilot channel, the mobile stations will experience significant detection errors. These detection errors can occur for two reasons: (1) the searching algorithm used in the mobile stations will direct the receivers to demodulate rays that contain pilot signal energy but no traffic signal energy; and (2) the phase of the pilot channel and traffic channel will be different, because they are transmitted from different antennas or different sets of antenna elements. Consequently, these conditions cause the mobile

-3-

stations to make erroneous channel estimations which lead to corrupted demodulated signals.

5 Relatively simple approaches to resolving these problems would be to use either non-coherent detection by the mobile station in the forward link, or provide dedicated pilot symbols for each traffic channel. However, the performance of conventional systems using those approaches would be degraded substantially, in comparison to systems using coherent detection (at the mobile station) facilitated by broadcasting a common pilot channel. Also, newer systems using these approaches would not be compatible with those conventional mobile stations that are designed to use the broadcasted pilot to detect and demodulate incoming signals.

10

#### SUMMARY OF THE INVENTION

A DS-CDMA cellular system is provided that employs two forward link transmission modes in parallel. A conventional transmission mode broadcasts a pilot channel that can be used by a conventional mobile station to estimate and detect a dedicated traffic channel. The second transmission mode transmits (via a sectorized antenna system) all information required by a new generation mobile station to estimate and detect a traffic channel dedicated to that mobile station.

15

For systems using conventional broadcast cells, a mode controller selects the conventional forward link transmission mode. For sectorized systems (e.g., using adaptive arrays or distributed antennas), the common control channels utilize the conventional transmission mode. The mobile station transmits a signal that indicates whether or not it is equipped to support the new transmission mode. The cellular network can then determine, for each such mobile station, whether the conventional or new forward link transmission mode should be used. Preferably, if a mobile station is designed to operate with the new forward link transmission mode, the network selects the new transmission mode. If not, the network selects the conventional forward link transmission mode.

20

25

30

## BRIEF DESCRIPTION OF THE DRAWINGS

A more complete understanding of the method and apparatus of the present invention may be had by reference to the following detailed description when taken in conjunction with the accompanying drawings wherein:

5           FIGURE 1 is a schematic block diagram that illustrates a system that can be used to provide parallel forward link transmission modes in a cellular communications system, in accordance with a preferred embodiment of the present invention;

10           FIGURE 2 is a schematic circuit block diagram of a signal processor unit that can be used to implement the new forward link transmission mode shown in FIGURE 1, in accordance with the preferred embodiment of the present invention; and

15           FIGURE 3 is a schematic circuit block diagram of a conventional signal processor unit that can be used for the "old" forward link transmission mode unit shown in FIGURE 1.

## DETAILED DESCRIPTION OF THE DRAWINGS

20           The preferred embodiment of the present invention and its advantages are best understood by referring to FIGURES 1-3 of the drawings, like numerals being used for like and corresponding parts of the various drawings.

25           Essentially, for the preferred embodiment of the present invention, a DS-CDMA cellular system is provided that employs two forward link transmission modes in parallel. A conventional transmission mode broadcasts a pilot channel that can be used by a conventional mobile station to estimate and detect a dedicated traffic channel. The second transmission mode transmits (via a sectorized antenna system) all information required by a new generation mobile station to estimate and detect a traffic channel dedicated to that mobile station.

30           For systems using conventional cells (e.g., broadcasted cells not defined by adaptive array or distributed antenna lobes), the conventional forward link transmission mode is selected. For sectorized systems (e.g., using adaptive arrays or distributed antennas), the common control channels (e.g., broadcast control



-5-

channel, paging channel, and access grant channel) utilize the conventional transmission mode. However, at call setup, once the initial connection between the mobile station and base station has been established, the mobile station transmits a signal parameter that indicates whether or not it is equipped to support the new (second) transmission mode. The cellular network can then determine, for each such mobile station, whether the conventional or new forward link transmission mode should be used. Preferably, if a mobile station is designed to operate with the new forward link transmission mode, the network selects the new transmission mode. If a mobile station does not transmit a signal indicating that it can operate with the new forward link transmission mode, the network selects the conventional forward link transmission mode.

Specifically, FIGURE 1 is a schematic block diagram that illustrates a system that can be used to provide parallel forward link transmission modes in a cellular communications system, in accordance with a preferred embodiment of the present invention. Base station 10 includes a switch 12 that can route a bitstream of information,  $d_i$ , (e.g., digital data, voice, video) to a selected one of two forward link transmission mode units. The position of switch 12 is selectively controlled by control signals from a transmission mode controller 24 preferably located in base station 10. Alternatively, a separate mode controller 24 can be provided for each mobile station, either at base station 10 or as a component part of a user's mobile station 22. In the exemplary embodiment shown, the dashed lines between mode controller 24, switch 12, and mobile station 22 denote a flow of control signals therebetween (e.g., via the air interface).

An output of switch 12 is connected to one of a "new" transmission mode signal processor unit 14, or a conventional ("old") transmission mode signal processor unit 16. An output of new transmission mode signal processor unit 14 is connected to an adaptive antenna array 18. Alternatively, a distributed antenna system (e.g., a plurality of radio access ports) can be used in place of adaptive array 18. Essentially, each directional energy lobe transmitted from adaptive array 18 defines a narrow lobe. Similarly, each energy lobe transmitted by an element (radio port) of a distributed antenna system also defines a narrow lobe. As such, any type

-6-

of sectorized antenna system, which transmits a relatively narrow energy lobe, either fixed or steerable, can fall within the scope of the present invention.

The pilot channel, broadcast channels, and some traffic channels can be transmitted over the conventional transmission mode (16) via a broadcast antenna  
5 20. The broadcast antenna 20 provides full cell coverage for those mobile stations that are equipped to use the conventional forward link transmission mode (16). Other traffic channels are transmitted over the new transmission mode (14) via the array antenna (or distributed antenna element) to the individual mobile stations (e.g.,  
22), which are equipped to operate with the new forward link transmission mode.  
10 For flexibility in this embodiment, the newer mobile stations can be equipped to operate with either the new or old forward link transmission mode.

Using the new forward link transmission mode (14) with an adaptive antenna array (18), each mobile station's traffic channel is transmitted over an individual antenna lobe (e.g., a traffic channel lobe). Each such antenna lobe is much  
15 narrower than the broadcast antenna (20) sector. With a distributed antenna system, for example, one of a plurality of fixed antenna lobes can be transmitted directionally to a mobile station. With an adaptive antenna array, for example, one antenna lobe can be formed and directed to an individual mobile station. The formation of such an individual antenna lobe can be accomplished with a  
20 conventional adaptive antenna transmission scheme.

As described above, transmission mode controller 24 controls the routing of forward link traffic signals to either the new transmission mode signal processor unit 14 or the conventional transmission mode signal processor unit 16. During call  
25 setup, an appropriately equipped mobile station (e.g., mobile station 22) attempting to make contact with base station 10, transmits control signals via air interface link 26 that identify that mobile station's "new" transmission mode compatibility. Accordingly, mode controller 24 directs switch 12 to route the forward link bitstream,  $d_i$ , to "new" transmission mode unit 14. Otherwise, if the mobile station is not equipped to communicate via the new transmission mode, those control signals  
30 are not sent to mode controller 24. Consequently, mode controller 24 assumes that only the conventional transmission mode will be used for this mobile station, and

directs switch 12 to route the forward link bitstream,  $d_i$ , to "old" transmission mode unit 16.

In addition to determining the presence or absence of mode transmission control signals from a mobile station, mode controller 24 can decide whether or not to select the new transmission mode, based on other criteria. One criterion that can be used by the mode controller for such a decision is the type of service requested by the mobile user. For example, the mode controller (24) can select the new transmission mode if the bit rate of the requested service is higher than a predetermined rate. Or, the new transmission mode can be selected based on cell configuration data. For example, as described above, the new transmission mode can be selected if the cellular system involved defines individual cells using an adaptive antenna array or distributed antenna system (e.g., plurality of antenna elements or radio access ports).

If mode controller 24 selects the new transmission mode for an individual mobile station, the base station transmits a control message to the mobile station via the air interface link 28, which informs the mobile station that the new mode has been selected for forward link transmissions to that mobile station.

In the event that a mobile station operating with the new transmission mode moves into a cell defined by a different base station, it is possible that the different base station is (or is not) capable of operating with the new forward link transmission mode. Consequently, it is within the scope of the present invention for the system to be capable of switching over from one transmission mode to another (new to old or vice versa) during an active connection between the mobile and base station. This active switching operation can be accomplished, for example, by the base station indicating in a handoff message to the mobile station the specific transmission mode currently being used, along with timing information about when the handoff should occur. If a soft handoff operation is occurring, the transmission mode selected can be the same for all of the base stations included in the active set of users. Alternatively, different base stations can use different transmission modes.

In a second embodiment of the present invention, if a distributed antenna system is in use (as opposed to the adaptive array shown in FIGURE 1), the

-8-

broadcast channel and pilot channel can be transmitted from all of the distributed antenna elements (e.g., all of the radio access ports) in the cell. However, the traffic channel is transmitted preferably from either one or a select plurality of antenna elements or radio access ports to an appropriately equipped mobile station

5 (22).

FIGURE 2 is a schematic circuit block diagram of a signal processor unit 100 that can be used to implement the new forward link transmission mode (14) shown in FIGURE 1, in accordance with the preferred embodiment of the present invention. The embodiment shown in FIGURE 2 can be for use in a known CODIT

10 environment. However, the invention is not intended to be so limited and can be used with any appropriate CDMA-type system. For example, in accordance with the present invention, an alternative to the CODIT-based implementation described directly below (wherein the physical data channel and physical control channel are

15 illustrated by FIGURE 2, for the forward link modulation format, the physical control channel data is differentially encoded before spreading (spread spectrum) with the dedicated spreading code, and then it is QPSK modulated for transmission via array 18 to the mobile station (22). The forward link physical data channel data is also QPSK modulated for transmission via array 18, but the physical data channel

20 data is not differentially encoded. By differentially encoding the forward link physical control channel data, the signal transmitted on the narrow lobe from array 18 can be received and demodulated at the mobile station using a differential coherent detection scheme. Consequently, by using this differential forward link modulation scheme, a receiving mobile station (22) can accurately estimate the

25 channel phase for the incoming differentiated data symbols. In other words, by using differential encoding for the forward link physical control channel data, the receiver in the mobile station (22) does not need a pilot channel as a reference for channel estimation. The differentially encoded bitstreams can be detected without explicitly estimating the channel phase. Channel estimation is accomplished in the

30 differential coherent detection process. Therefore, the mobile station's receiver can decode the physical control channel data without relying on the pilot channel. The

receiver can then use the channel estimations from the physical control channel detection to successfully detect and decode the QPSK modulated physical data channel.

Specifically, referring to the embodiment illustrated in FIGURE 2, different spreading codes in the I and Q channels are used. The physical control channel data bits,  $d_i$ , to be differentially encoded are input to differential encoder 114. The output signal from differential encoder 114 can be expressed as:

$$\delta_i = d_i \cdot \delta_{i-1} \quad \delta_i \in \{\pm 1\} \quad (1)$$

The differentially encoded data bits  $\delta_i \in \{\pm 1\}$  are split into two signals and coupled to a respective multiplier (spectrum spreader) 116 and 118. In each path, these data bits are multiplied with different binary spreading sequences having the respective values  $c_{1,j}$ ,  $c_{2,j} \in \{\pm 1\}$ .

Each differentially encoded spread signal,  $\alpha_{1,j}$ ,  $\alpha_{2,j}$  at the output of the respective spreaders 116 and 118 is coupled to a respective pulse shaping lowpass filter 120 and 122. Each filter has the impulse response  $h(t)$ . The output signals from filters 120 and 122 are coupled to respective multipliers 124 and 126, multiplied with two orthogonal carrier sine waves, and algebraically added together by adder 128. The modulated signal,  $x(t)$ , to be transmitted on the forward link can be expressed as:

$$x(t) = \sum_j (\alpha_{1,j} \cdot h(t-jT_c) \cdot \cos(\omega t) + \alpha_{2,j} \cdot h(t-jT_c) \cdot \sin(\omega t)) \quad (2)$$

Consequently, using differential encoding in the forward link with a narrow lobe transmission, the intended mobile station can utilize an existing differential coherent detector to detect two consecutive received data symbols and estimate the channel phase by determining the difference between the two symbols. In summary, by using differential encoding for the traffic channel, the receiver in the mobile station does not need a pilot channel as a reference for channel estimation. Channel estimation is accomplished using the differential coherent detection process. Therefore, the mobile station's receiver can decode the traffic channel without depending on the pilot channel.

FIGURE 3 is a schematic circuit block diagram of a conventional signal processor unit 200 that can be used for the "old" forward link transmission mode unit

16 shown in FIGURE 1. For a conventional DS-SS system, the forward link transmission mode (16) typically employs a QPSK modulation scheme. Notably, signal processor unit 200 is similar to signal processor unit 100 in FIGURE 2, except signal processor unit 200 does not differentially encode the incoming data bits. Consequently, the output signals of multipliers (spreaders) 216 and 218 are not differentially encoded signals. Notably, since the incoming bitstream is not differentially encoded, signal processor unit 200 can also be used to modulate the physical data control channel data transmitted to a mobile station equipped for the new transmission mode.

10 In a third embodiment of the present invention, instead of using differentially encoded QPSK forward link transmissions for the physical control channel data, the new transmission mode unit 14 shown in FIGURE 1 can be used to generate and transmit pilot symbols associated with the intended mobile station (22). For example, in an IS-95 type CDMA system, known pilot symbols can be inserted into the data bitstream by use of time-multiplexing. For example, every  $n$ th modulation data symbol is a pilot symbol instead of a data-modulated symbol. The mobile station's receiver will recognize each such recurring pilot symbol and use it to estimate the channel. Generally,  $M$  consecutive modulation symbols can be replaced with each interval of  $N$  modulation symbols. More specifically, from a practical standpoint, every second modulation symbol can be replaced by such a pilot symbol. Albeit, in an IS-95 type system, using every second modulation symbol for a pilot symbol would leave 4.8 kbps for user data. However, this technique would be advantageous for relatively high bit rate mobile users (e.g., where one mobile user occupies several code channels), because only one of those channels would have to carry the pilot symbols, which significantly decreases the signaling overhead requirements.

25 Although a preferred embodiment of the present invention has been illustrated in the accompanying Drawings and described in the foregoing Detailed Description, it will be understood that the invention is not limited to the 30 embodiments disclosed, but is capable of numerous rearrangements, modifications

- 11 -

and substitutions without departing from the spirit of the invention as set forth and defined by the following claims.

-12-

## WHAT IS CLAIMED IS:

1. A forward link transmission system for use in a CDMA cellular system, comprising:
  - 5 a first transmission mode unit coupled to a narrow lobe antenna transmission system;
  - a second transmission mode unit coupled to a broadcast antenna system; and
  - a transmission mode controller means for selectively coupling data to one of said first transmission mode unit and said second transmission mode unit in response to a transmission mode format signal.
- 10 2. The forward link transmission system according to Claim 1, wherein said transmission mode format signal is received from a mobile station.
3. The forward link transmission system according to Claim 1, wherein  
15 said first transmission mode unit comprises a differential encoder coupled to a modulator.
4. The forward link transmission system according to Claim 3, wherein  
20 said modulator comprises a QPSK modulator.
5. The forward link transmission system according to Claim 1, wherein  
said first transmission mode unit comprises time-multiplexing means for inserting  
at least one of a plurality of predetermined pilot symbols into a data bitstream.
- 25 6. The forward link transmission system according to Claim 5, wherein  
said at least one of a plurality of predetermined pilot symbols is substituted for every  
nth modulation data symbol in said data bitstream.
7. The forward link transmission system according to Claim 1, wherein  
30 said data comprises traffic channel data.



-13-

8. The forward link transmission system according to Claim 2, wherein a first said transmission mode format signal indicates that said mobile station is equipped to receive said data transmitted from said narrow lobe antenna transmission system.

5

9. The forward link transmission system according to Claim 2, wherein an absence of said transmission mode format signal indicates that said mobile station is not equipped to receive said data transmitted from said narrow lobe antenna system.

10

10. The forward link transmission system according to Claim 1, wherein said narrow lobe antenna system comprises an adaptive antenna array.

15

11. The forward link transmission system according to Claim 1, wherein said narrow lobe antenna system comprises at least one transmitting element of a distributed antenna system.

20

12. The forward link transmission system according to Claim 10, wherein energy transmitted from said adaptive antenna array defines a lobe used for a traffic channel to said mobile station.

25

13. The forward link transmission system according to Claim 11, wherein energy transmitted from said at least one transmitting element defines a lobe used for a traffic channel to said mobile station.

30

14. The forward link transmission system according to Claim 3, wherein said mobile station includes a differential coherent detector to detect a received signal transmitted from said narrow lobe antenna system.

15. A forward link transmission method for use in a CDMA cellular system, comprising the steps of:

-14-

coupling a first transmission mode unit to a narrow lobe antenna transmission system;

coupling a second transmission mode unit to a broadcast antenna system; and  
selectively coupling data to one of said first transmission mode unit and said  
5 second transmission mode unit in response to a transmission mode format signal.

16. The method according to Claim 15, further comprising the steps of:  
inserting a pilot symbol into a predetermined symbol position of a bitstream  
of said data;  
10 modulating said bitstream of said data; and  
transmitting said bitstream of said modulated data from said narrow lobe  
antenna transmission system.

17. The method according to Claim 15, wherein said first transmission  
15 mode unit comprises a differential encoder coupled to a modulator.

18. The method according to Claim 15, further comprising the steps of:  
a network entity communicating with a mobile station using a predefined one  
of two transmission modes;  
20 transmitting said transmission mode format signal from said mobile station  
to said network entity, said transmission mode format signal indicating a  
communications capability of said mobile station;  
said network entity selecting one of said two transmission modes for  
transmitting data to said mobile station, said selecting dependent upon a content or  
25 absence of said transmission mode format signal and a communications capability  
of said network; and  
ordering said mobile station to use said selected one of said two transmission  
modes.

-15-

19. The method according to Claim 18, wherein an order in said ordering step is transmitted from said network using said predefined one of said two transmission modes.

FIG. 1

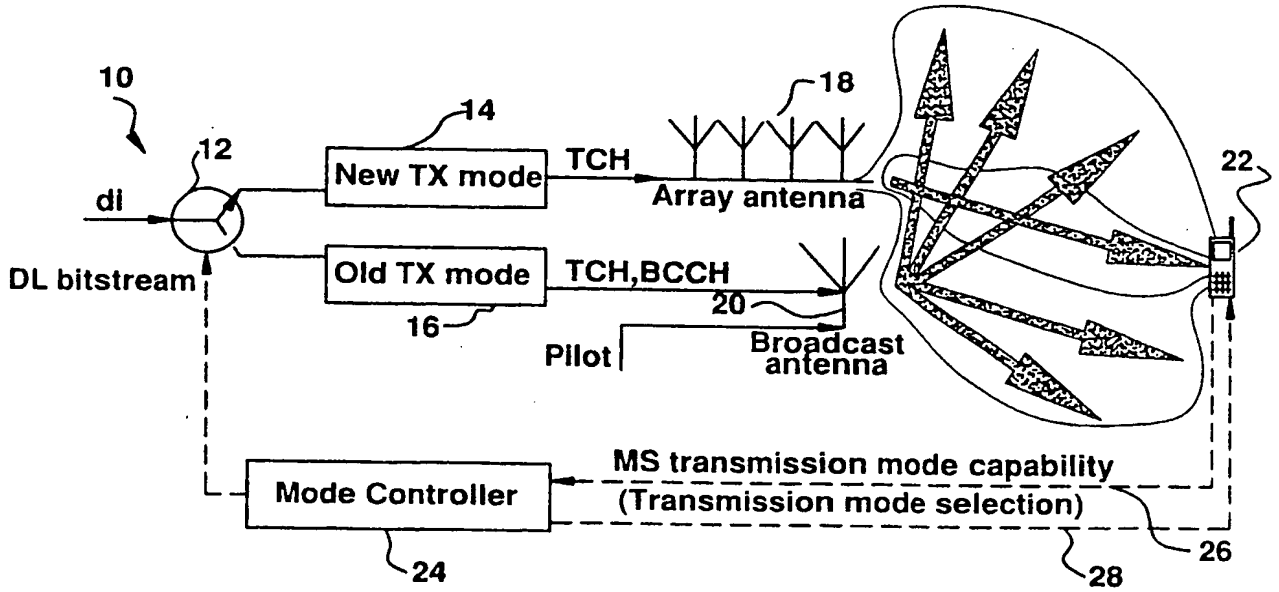


FIG. 2

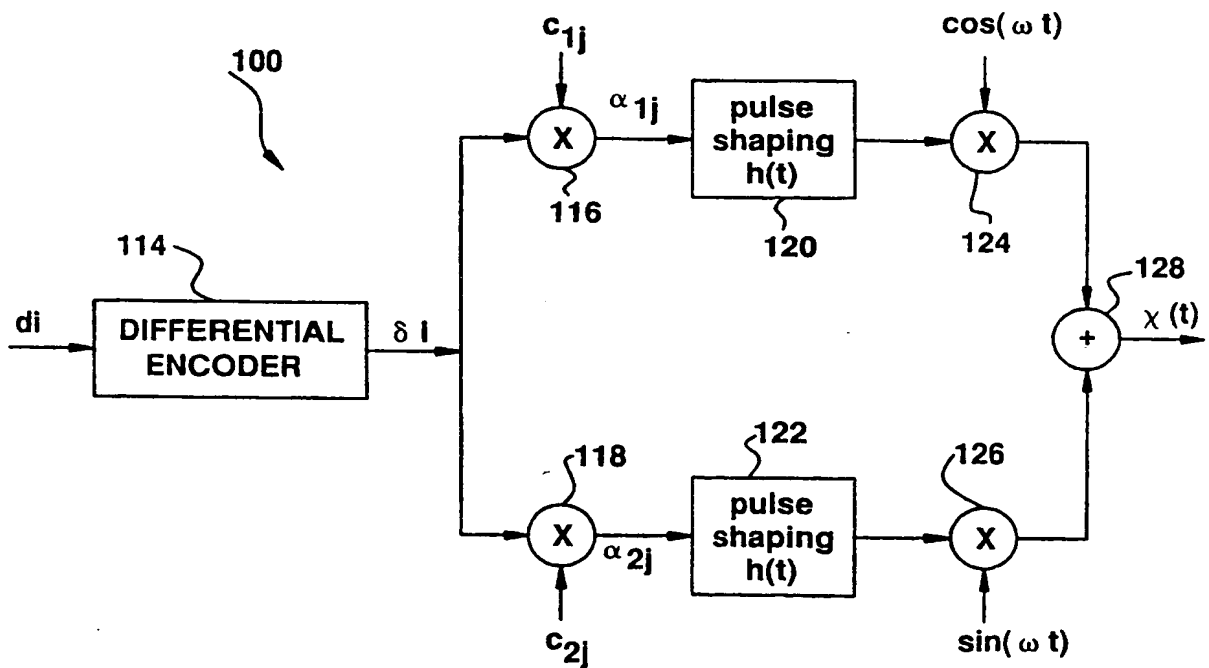
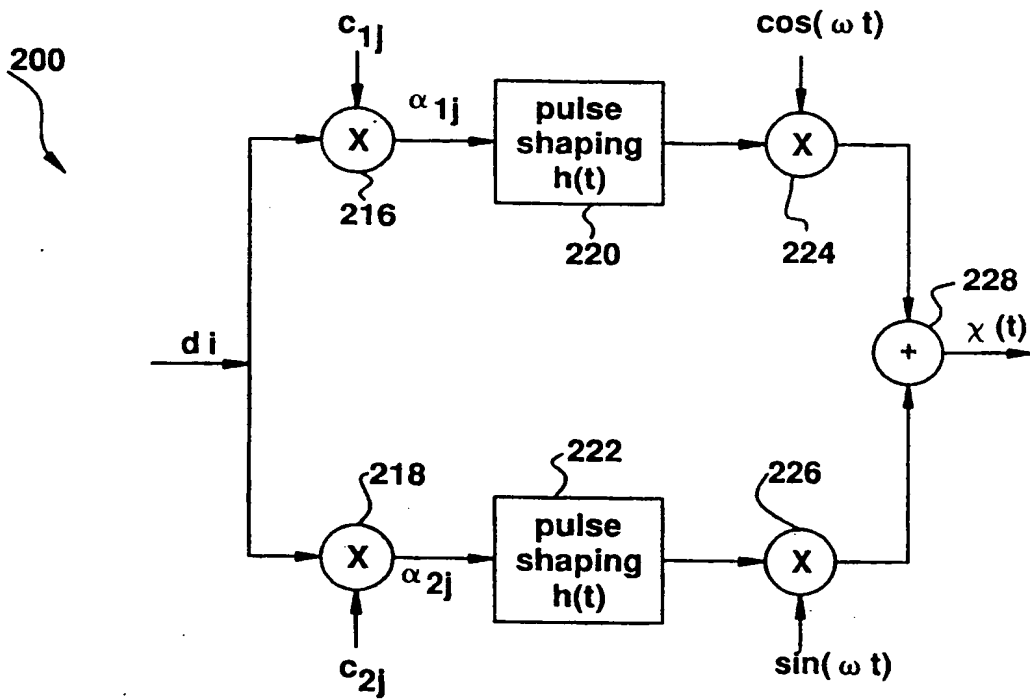


FIG. 3



# INTERNATIONAL SEARCH REPORT

Int. l. Application No  
PCT/SE 97/02120

**A. CLASSIFICATION OF SUBJECT MATTER**  
 IPC 6 H04B7/26 H04B7/06 H04Q7/36

According to International Patent Classification (IPC) or to both national classification and IPC

**B. FIELDS SEARCHED**  
 Minimum documentation searched (classification system followed by classification symbols)  
 IPC 6 H04B H04Q

Documentation searched other than minimum documentation to the extent that such documents are included in the fields searched

Electronic data base consulted during the international search (name of data base and, where practical, search terms used)

**C. DOCUMENTS CONSIDERED TO BE RELEVANT**

Category	Citation of document, with indication, where appropriate, of the relevant passages	Relevant to claim No.
Y	US 4 144 496 A (CUNNINGHAM ET AL) 13 March 1979 see column 4, line 49 - line 58; figures 1-16 ---	1, 15
Y	GB 2 295 524 A (NORTHERN TELECOM LIMITED) 29 May 1996 see claims 1-7; figures 1,2 ---	1, 15
A	EP 0 648 028 A (NEC) 12 April 1995 see claims 1-6 ---	1, 15
A	WO 96 30964 A (ERICSSON) 3 October 1996 see page 3, line 29 - page 4, line 20 ---	1, 15
A	EP 0 700 174 A (ATT) 6 March 1996 see page 2, line 54 - page 3, line 53 ---	1, 15
	-/--	

Further documents are listed in the continuation of box C.  Patent family members are listed in annex.

**Special categories of cited documents:**

<p>"A" document defining the general state of the art which is not considered to be of particular relevance</p> <p>"E" earlier document but published on or after the international filing date</p> <p>"L" document which may throw doubts on priority claim(s) or which is cited to establish the publication date of another citation or other special reason (as specified)</p> <p>"O" document referring to an oral disclosure, use, exhibition or other means</p> <p>"P" document published prior to the international filing date but later than the priority date claimed</p>	<p>"T" later document published after the international filing date or priority date and not in conflict with the application but cited to understand the principle or theory underlying the invention</p> <p>"X" document of particular relevance; the claimed invention cannot be considered novel or cannot be considered to involve an inventive step when the document is taken alone</p> <p>"Y" document of particular relevance; the claimed invention cannot be considered to involve an inventive step when the document is combined with one or more other such documents, such combination being obvious to a person skilled in the art.</p> <p>"&amp;" document member of the same patent family</p>
--	--

Date of the actual completion of the international search  <b>27 March 1998</b>	Date of mailing of the international search report  <b>17/04/1998</b>
---	---

Name and mailing address of the ISA European Patent Office, P.B. 5818 Patentlaan 2 NL - 2280 HV Rijswijk Tel. (+31-70) 340-2040, Tx. 31 651 epo nl, Fax: (+31-70) 340-3016	Authorized officer  <b>Bischof, J-L</b>
--	---

INTERNATIONAL SEARCH REPORT

International Application No  
PCT/SE 97/02120

C.(Continuation) DOCUMENTS CONSIDERED TO BE RELEVANT

Category	Citation of document, with indication, where appropriate, of the relevant passages	Relevant to claim No.
A	GB 2 297 224 A (TOSHIBA) 24 July 1996 see page 3, line 11 - page 6, line 20; figure 1	1,15
A	<p style="text-align: center;">---</p> EP 0 668 668 A (MATSUSHITA ELECTRIC INDUSTRIAL CO.) 23 August 1995 see column 4, line 18 - column 5, line 10 <p style="text-align: center;">-----</p>	1,15

# INTERNATIONAL SEARCH REPORT

Information on patent family members

In. ational Application No

PCT/SE 97/02120

Patent document cited in search report	A	Publication date	Patent family member(s)	Publication date
US 4144496	A	13-03-1979	NONE	
GB 2295524	A	29-05-1996	EP 0795257 A WO 9617486 A	17-09-1997 06-06-1996
EP 648028	A	12-04-1995	JP 7107545 A US 5548807 A	21-04-1995 20-08-1996
WO 9630964	A	03-10-1996	US 5649287 A AU 5166996 A CA 2216365 A EP 0818059 A	15-07-1997 16-10-1996 03-10-1996 14-01-1998
EP 700174	A	06-03-1996	JP 8079837 A	22-03-1996
GB 2297224	A	24-07-1996	JP 8195703 A CN 1138252 A US 5652764 A	30-07-1996 18-12-1996 29-07-1997
EP 668668	A	23-08-1995	JP 7283779 A CA 2141733 A US 5598404 A	27-10-1995 17-08-1995 28-01-1997